



KNOTTY PINE DIY BARN DOOR

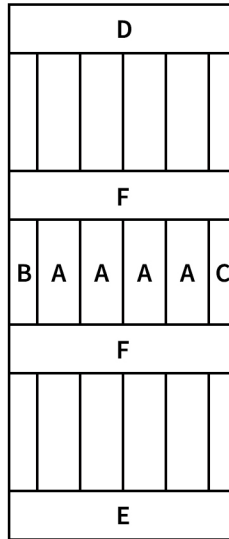
Instruction for assembling

Email: service@jiameiinc.com



KNOTTY PINE DIY BARN DOOR

Instruction for assembling



Double Mid-Bar Series

SIDE VIEW

A: Middle Plank



E: Bottom Plank



B: Left Outside Plank



F: Central Plank



C: Right Outside Plank



D: Top Plank



SIZE

SINGLE DOOR

24" × 84"

28" × 84"

30" × 84"

36" × 84"

38" × 84"

42" × 84"

DOUBLE DOOR

48" × 84"

56" × 84"

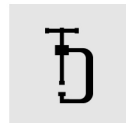
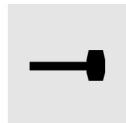
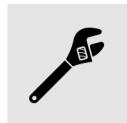
60" × 84"

72" × 84"

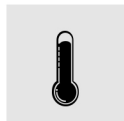
76" × 84"

84" × 84"

TOOLS NEEDED



Avoid direct sunlight.



Avoid moisture.

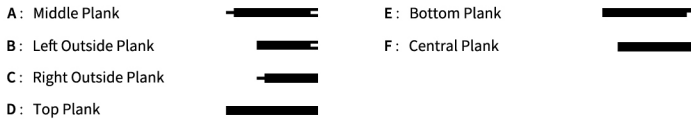
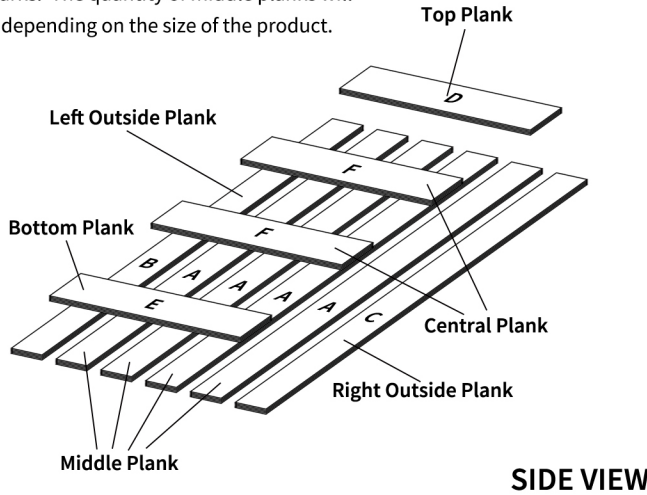


Avoid rain.

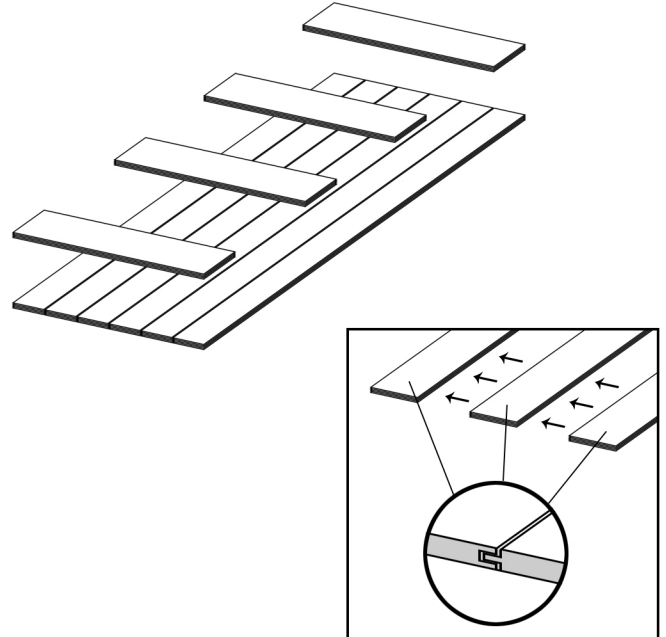
Double Mid-Bar Series

STEP 01 : Parts Included

Remarks: The quantity of middle planks will vary depending on the size of the product.



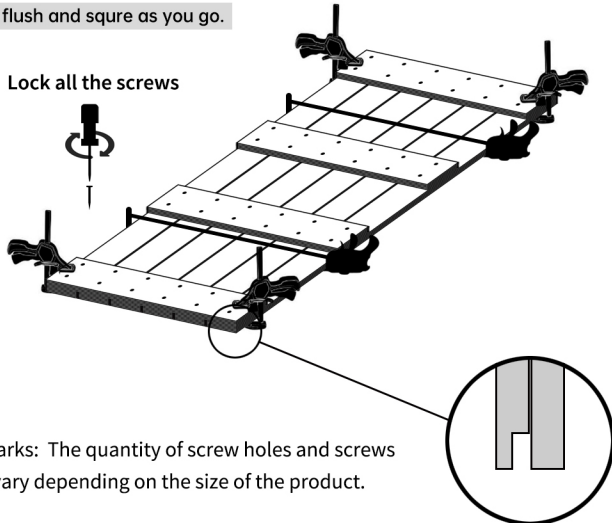
STEP 02 : Combine lower planks



STEP 03 : Combine upper and lower planks

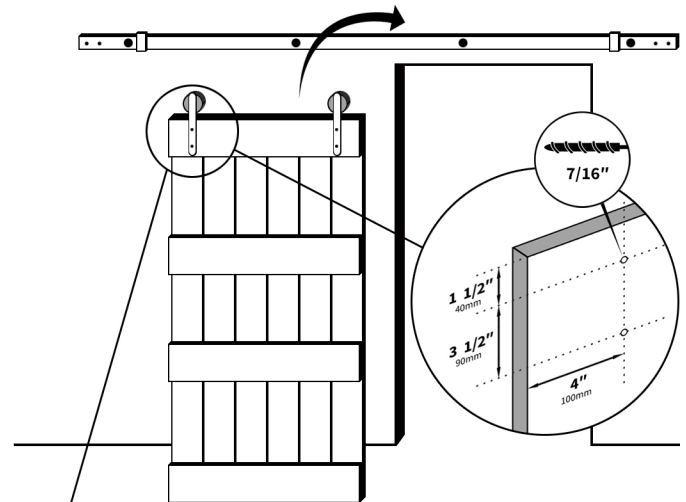
Once all planks are flush and square, secure the top and bottom planks with the screws provided. Using the clamps secure all 4 corners. With the pre-drilled holes as your guide, drill (1/8" bit) a shallow pilot hole into 4 corner holes. Do not drill completely through the door plank. Using a screw driver insert screws into the 4 corner pre-drilled holes. Continue process with the remaining screws. Make sure all screws are installed and secure. It is important to check that all planks are still flush and square as you go.

Lock all the screws



Remarks: The quantity of screw holes and screws will vary depending on the size of the product.

STEP 04 : Installing door and track



Screw holes door hangers are not pre-drilled on door. To install door hangers, you need to drill holes on your door.